



ONYX-S

TRIPOD TURNSTILES

Ergonomic design with stylish body lines is the defining feature of this turnstile. The inclined scratch resistant glass top gives this turnstile a futuristic look making it a stylish architectural element to compliment any modern interior.

sales@tiso.global | www.tiso.global

ADVANTAGES OF ONYX-S TURNSTILES

Top lid is fully covered with safety scratch resistant glass 8mm thick

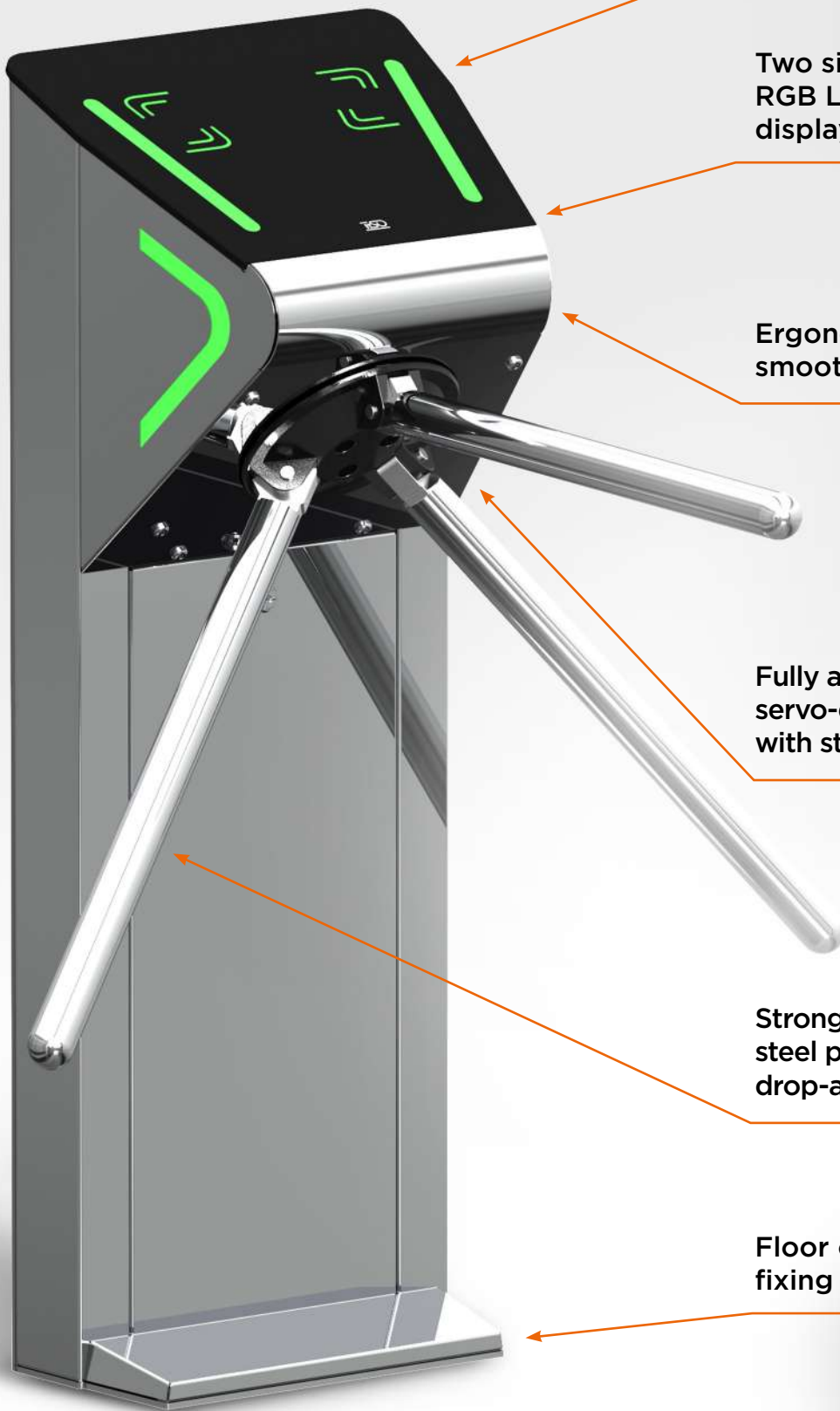
Two side bright dynamic RGB LED front status displays

Ergonomic design with smooth lines

Fully automatic two side servo-driven mechanism, with strong locking system

Strong tripod hub with stainless steel pods and fully automatic drop-arm function

Floor cover that hides the fixing anchors



sales@tiso.global
www.tiso.global

These turnstiles are equipped with an automatic bi-directional servo-drive mechanism with a robust locking system and are able to operate reliably and efficiently in high traffic flow locations.

This model has a robust hub with stainless steel pods and a fully automatic anti-panic system, where in the case of an emergency, the arms are automatically lowered and users can freely pass through unhindered.



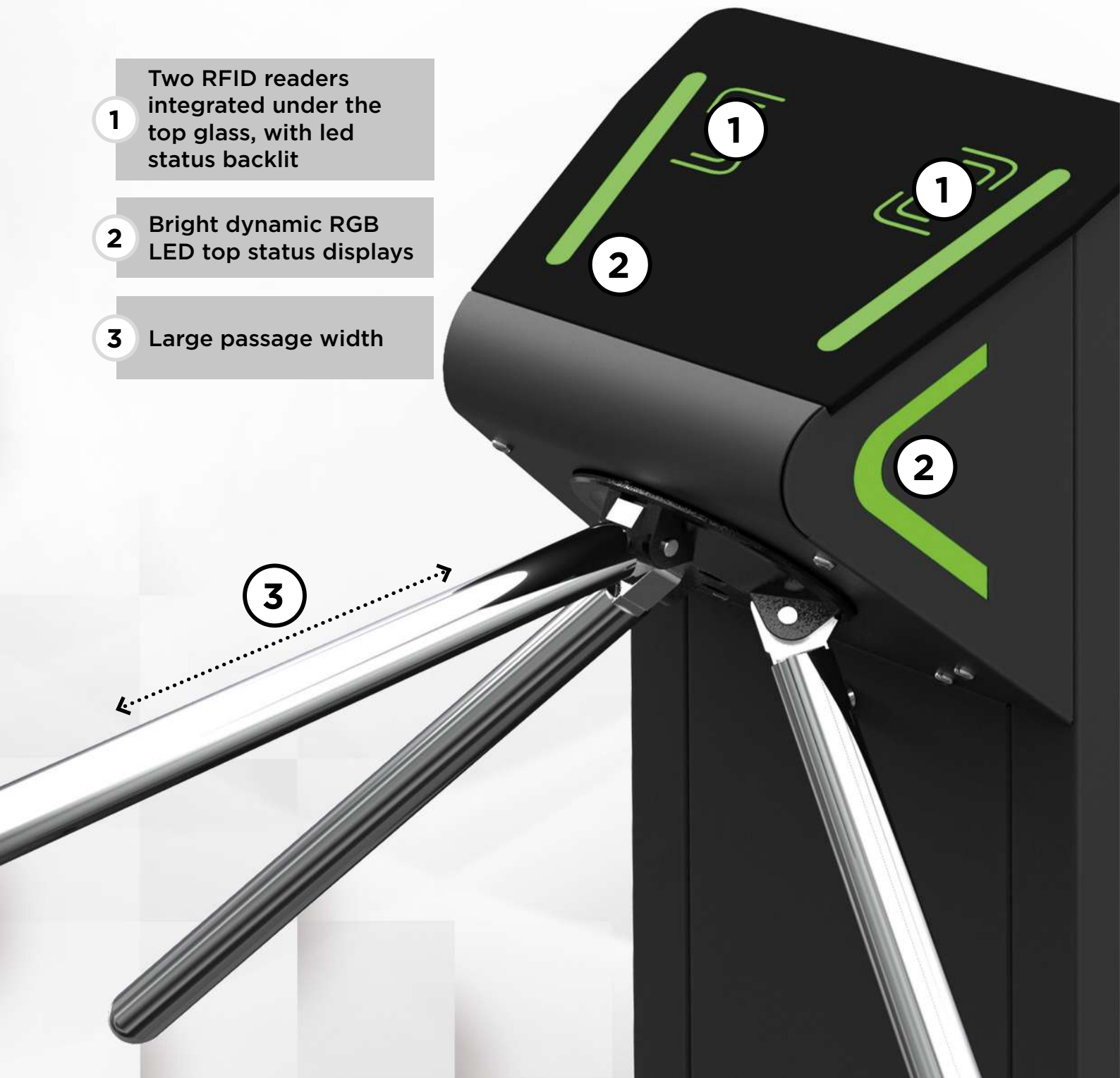
sales@tiso.global
www.tiso.global

The cabinet tops are made of a scratch-resistant black glass, which allows simple maintenance and long lasting aesthetics. The sleek LED's follow the lines of the turnstile's body, and can be both static and dynamic in operation. Additionally the pulsing display indicates the direction of travel through the turnstile. Two RFID readers* are integrated under the top glass reader panels, with LED lighting which provides a clear indication for users to present their access control cards.

The combination of all of these LED features clearly determines the status of the passage (Green - Access authorised, Red- Access denied and Blue - Standby mode).

*optional

- 1 Two RFID readers integrated under the top glass, with led status backlit
- 2 Bright dynamic RGB LED top status displays
- 3 Large passage width



TECHNICAL SPECIFICATIONS

Model	Onyx-S
Crossing capacity in free access mode, person/min	60
Crossing capacity in single access mode, person/min	25
Passage width, mm	600
Mechanism	Servo-driven
Blocking mechanism	two electromagnetic stoppers (separate locking system)
Emergency mode (when power goes off)	fail-safe (lowering the leash)
Drop arm function	Activated manually or by command from the access control / fire alarm system in the absence of power, it works automatically, after the appearance of power it returns to its original position
Standard housing	Brushed SS AISI 304
Available housing	Brushed SS AISI 316 Polished SS AISI 304 Polished SS AISI 316 Powder coated (any RAL up on request)
Voltage	AC (100-240)V, 50/60Hz; DC source 12 V
Maximum power consumption	55
Protection level	IP41
MCBF, cycles	1 500 000

“Let’s make life safer” is our mission statement. We promote this ideology at every stage of the process from first introduction of the TiSO range to our partners, through manufacture, to installation and maintenance of our products on site. The successful delivery of our mission is ensured thanks to the quality of the products that we manufacture and distribute internationally. Our manufacturing processes and all of the products in the TiSO range, (from turnstiles through road blocking systems to fire-resistant doors) have been certified in accordance with the highest international standards for health, safety and environment by leading international laboratories. This proves and ensures the high standards of our manufacturing procedures in conjunction with the quality and reliability of the finished products that we distribute. Recognition of our success in implementing our mission is proven by the positive feedback that we regularly receive from our partners and end users alike, after the successful delivery of projects. This we hope makes our mission statement “Let’s Make Life Safer” a reality for our many customers around the globe.



TiSO Global

Kyiv, Ukraine
14 Promyslova str., 02088,
tel.: +380 (44) 291-21-11
e-mail: sales@tiso.global
www.tiso.global

TiSO ME

Dubai, UAE
Dubai South, B4 Building,
Office 231, P.O. Box 712990,
e-mail: sales.me@tiso.global
tel.: +971 56 799 68 08
www.tiso.global

TiSO UK

2 Sycamore Close Bexhill
on Sea East Sussex TN394PZ
e-mail: sales@tisouk.com
tel.: +44 7800777636
www.tisouk.com

TiSO APAC

78 Bedok North Road,
Unit 14-232, 460078
e-mail: enquiry@tisoapac.com
tel.: +65 6256 0515
www.tisoapac.com